



FEED AND BIOFUEL

ADVANCED EXTRUSION TECHNOLOGY

SHANGHAI EXTRUDER TYPE S/EXR

ANDRITZ

ENGINEERED SUCCESS

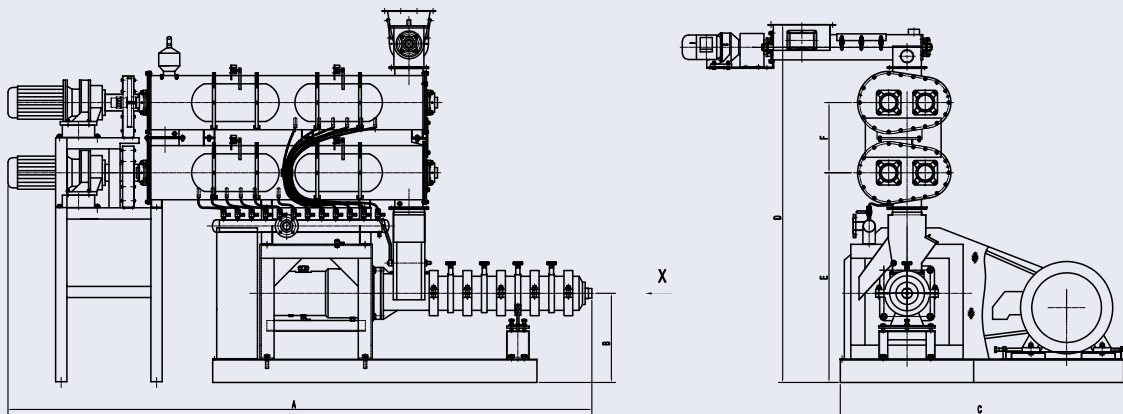
Advanced extrusion technology

ANDRITZ extruder type S/EXR is a new generation extruder meeting international standards while built on a simple structure, designed to be reliable, wear resistant, and easy to install and maintain. The S/EXR is suitable for corn, soybeans and many other types of raw materials.

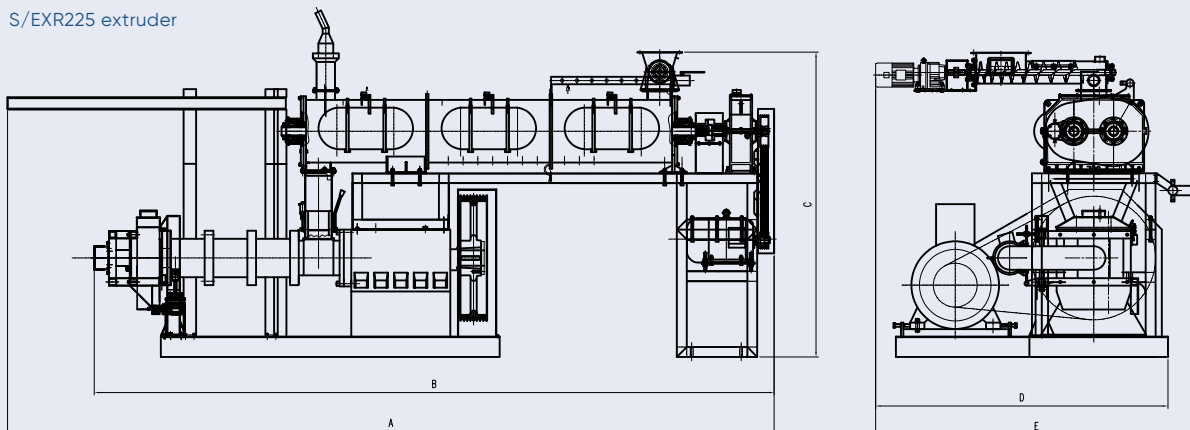
STEAM EXTRUDER FEATURES

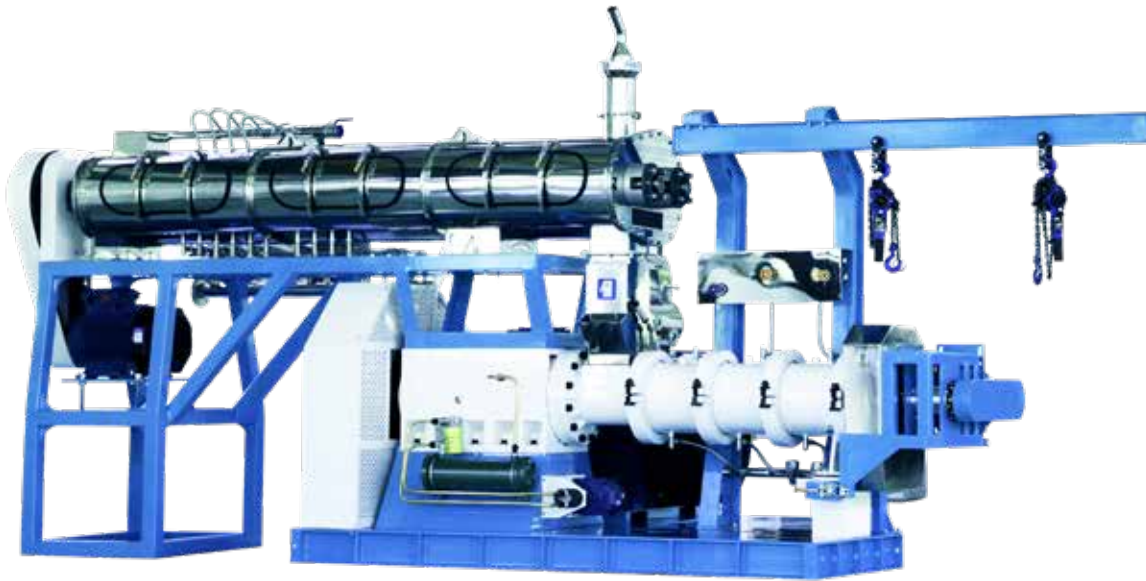
- High performance conditioner with stainless steel jacket.
- Inverter controlled feeder features accurate feeding, steady flowing and anti-block.
- Combined main shaft can adapt a variety of materials.
- Used primarily for extruding soybeans, corn, and animal feed, in addition to keeping bran fresh and detoxification of cottonseed and castor cake.
- Highly efficient with productivity 15%-20% higher than other similar types of extruders.

S/EXR200 extruder



S/EXR225 extruder





S/EXR extruder

S/EXR200 EXTRUDER

- Enhance adaptability. It can process soybean, corn, compound feed continuously and smoothly with high performance.
- Small changes in configuration make it easy to switch between extruder and expander for different purpose.
- Particularly suitable for large and middle scale feed mills to extrude raw materials, expand feeds for poultry and livestock, or form expanding-pelleting section with pellet mill.

S/EXR225 EXTRUDER

- Super DDC make optimal conditioning to feed stuff.
- Jacket design barrel with liner can achieve heating/cooling function.
- Modular main-shaft and different outlet design can extrude and expand various materials.
- Significantly increase the output for starch-based materials with medium cooking degree.

TECHNICAL SPECIFICATIONS

Model	Main power	Conditioner power	Feeder power	Cutter power	Capacity		Weight
	kW	kW	kW	kW	T/H	kg	
					Soybean	Corn	
S/EXR200	160	5.5 x 2	1.5	-	4.0-5.0	1.2-2.0	3500
S/EXR225	200/250	18.5	1.5	7.5	3-6	-	-

DIMENSION SIZE (MM)

Model	A	B	C	D	E	F
S/EXR200	4165	635	2020	2550	2550	2550
S/EXR225	6198	5496	2465	2362	2550	2550



GLOBAL SUPPLIER – LOCAL PRESENCE

With sales, service, engineering, manufacturing and production sites located all around the world, ANDRITZ Feed and Biofuel is truly a global organization with a local presence. ANDRITZ is vital to ensuring a reliable global supply of aqua feed, animal feed, pet food, and biofuel. With full process lines accounting for half the world's production of aqua feed and biomass alone, we continuously support leading producers in achieving the highest levels in safety, quality, and control from feedstock to final product.

How can we help grow your business?

ANDRITZ Feed and Biofuel A/S

Glentevej 5-7
6705 Esbjerg, Denmark
p: +45 72 160 300
andritz-fb.dk@andritz.com

ANDRITZ (Shanghai) Equipment & Engineering Co., LTD

No.2288, Rongle East Road, Songjiang,
201613, Shanghai, P.R.China
p: +86 21 57745781
andritz-fb.cn@andritz.com

AUSTRALIA

p: +61 3 8773 4888
andritz-fb.au@andritz.com

CHINA

p: +86 21 5774 5781
andritz-fb.cn@andritz.com

INDIA

p: +91 87544 15287
andritz-fb.india@andritz.com

SOUTH AFRICA

p: +27 82 781 0808
andritz-fb.za@andritz.com

BANGLADESH

p: +88 (02) 9844800
andritz-fb.bd@andritz.com

COLOMBIA

p: +57 (1) 744 8200
andritz-fb.co@andritz.com

ITALY

p: +39 (0445) 575 695
andritz-fb.it@andritz.com

TURKEY

p: +90 232 570 38 00
andritz-fb.tr@andritz.com

BRAZIL

p: +55 47 3387 9146
andritz-fb.br@andritz.com

DUBAI

p: +971 4 299 5555
andritz-fb.uae@andritz.com

MEXICO

p: +52 443 323 1530 ext 364
andritz-fb.mx@andritz.com

UK

p: +44 1482 825119
andritz-fb.uk@andritz.com

CANADA

p: +1 519 676 7057
anbosales@andritz.com

FRANCE

p: +33 24 75 06 364
andritz-fb.fr@andritz.com

NETHERLANDS

p: +31 40 2627777
andritz-fb.nl@andritz.com

USA

p: +1 570 546 1253
andritz-fb.us@andritz.com

CHILE

p: +56 2 24624608
andritz-fb.cl@andritz.com

GERMANY

p: +49 2104 9197 0
andritz-fb.de@andritz.com

POLAND

p: +48 60 906 1037
andritz-fb.pl@andritz.com

VIETNAM

p: +84 8 6253 9434
andritz-fb.vi@andritz.com

ANDRITZ.COM/FT



All data, information, statements, photographs and graphic illustrations in this leaflet are without any obligation and raise no liabilities to or form part of any sales contracts of ANDRITZ AG or any affiliates for equipment and/or systems referred to herein. © ANDRITZ AG 2019. All rights reserved. No part of this copyrighted work may be reproduced, modified or distributed in any form or by any means, or stored in any database or retrieval system, without the prior written permission of ANDRITZ AG or its affiliates. Any such unauthorized use for any purpose is a violation of the relevant copyright laws. ANDRITZ AG, Stattegger Strasse 18, 8045 Graz, Austria.



3009 GB